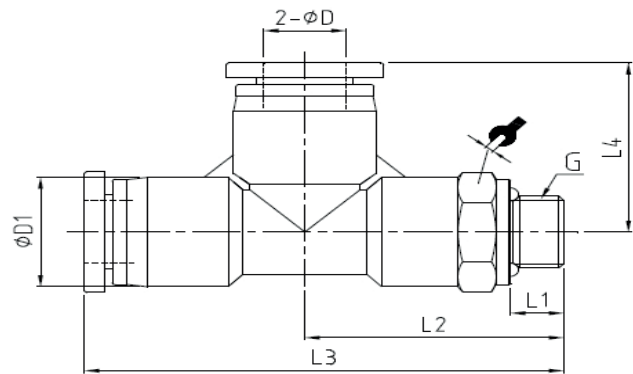




RACCORDS INSTANTANÉS POLYMÈRES

SÉRIE RP71 - RACCORD EN TE CYLINDRIQUE PIQUAGE MÂLE ORIENTABLE EN BOUT



Réf. Air-techniques	øD	G"	L1	L2	L3	L4	øD1		
RP71M504	4	M5	3.5	21.3	40.3	19	11.5	10	10
RP71M604	4	M6	4	21.8	40.8	19	11.5	10	10
RP711804	4	G1/8	5.5	24.3	43.3	19	11.5	14	10
RP711404	4	G1/4	7.5	26.8	45.8	19	11.5	17	10
RP71M506	6	M5	3.5	21.7	40.9	19.2	13.5	12	10
RP71M606	6	M6	4	22.2	41.4	19.2	13.5	12	10
RP711806	6	G1/8	5.5	24.2	43.4	19.2	13.5	14	10
RP711406	6	G1/4	7.5	26.7	46	19.2	13.5	17	10
RP713806	6	G3/8	7.5	27.2	46.5	19.2	13.5	20	10
RP711206	6	G1/2	10	29.7	49	19.2	13.5	24	10
RP711808	8	G1/8	5.5	27	49.5	22.5	15	14	10
RP711408	8	G1/4	7.5	29.5	52	22.5	15	17	10
RP713808	8	G3/8	7.5	30	52.5	22.5	15	20	10
RP711208	8	G1/2	10	32.5	55	22.5	15	24	10
RP711810	10	G1/8	5.5	32.3	61	27.8	19	17	10
RP711410	10	G1/4	7.5	34.8	63.5	27.8	19	17	10
RP713810	10	G3/8	7.5	34.8	63.5	27.8	19	20	10
RP711210	10	G1/2	10	38.3	67	27.8	19	24	10
RP711412	12	G1/4	7.5	36	65.5	29.5	21.5	21	10
RP713812	12	G3/8	7.5	36	65.5	29.5	21.5	21	10
RP711212	12	G1/2	10	39	68.5	29.5	21.5	24	10